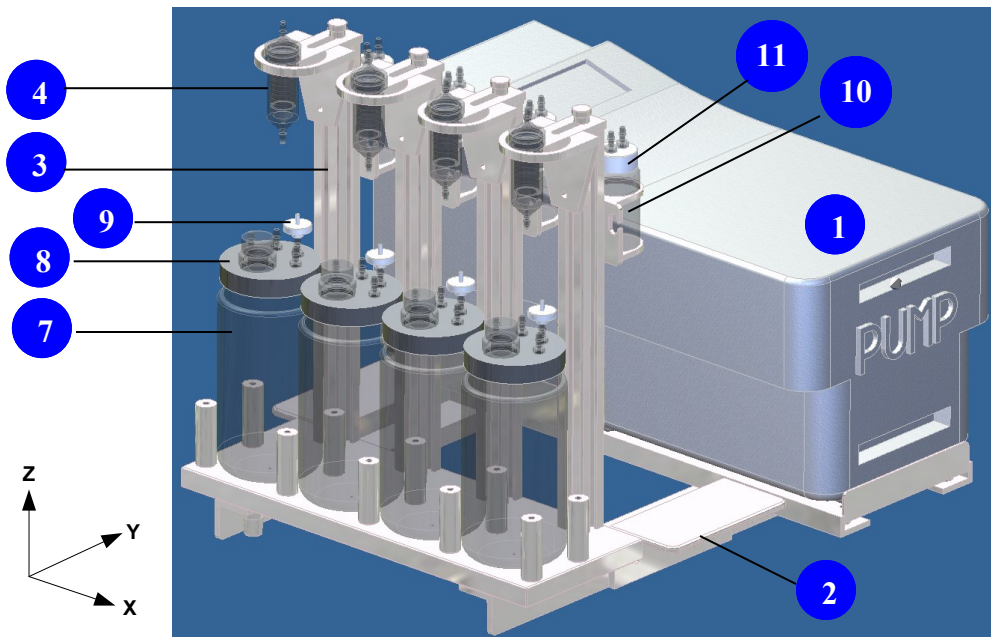
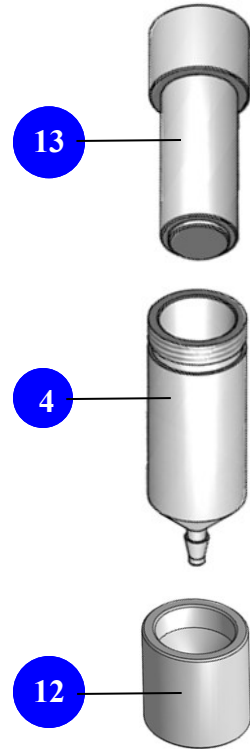


3D Perfusion Bioreactor System



Max Dimensions: Width (X) ~14", Depth (Y) ~13", Height (Z) ~12"



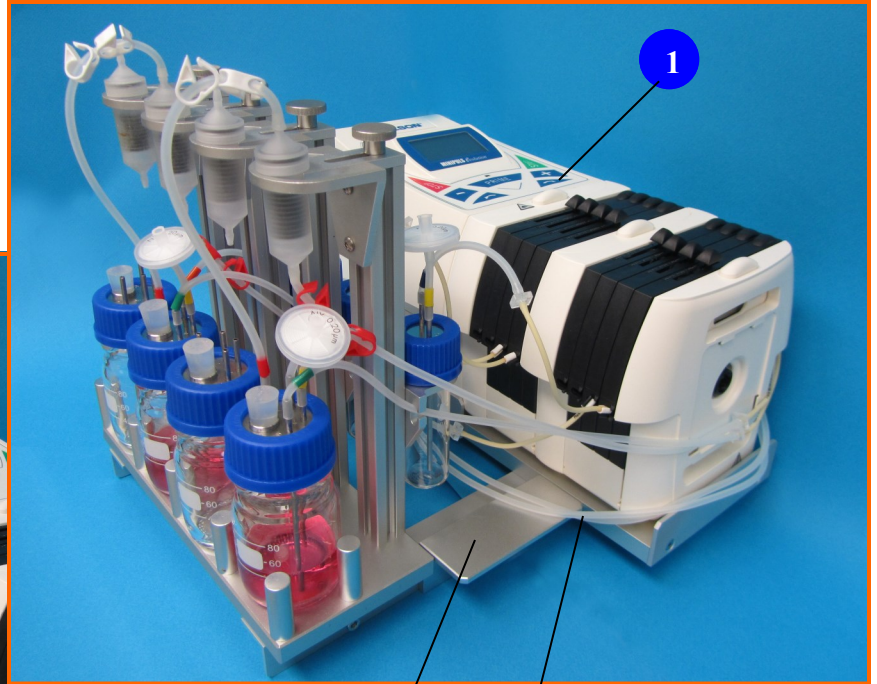
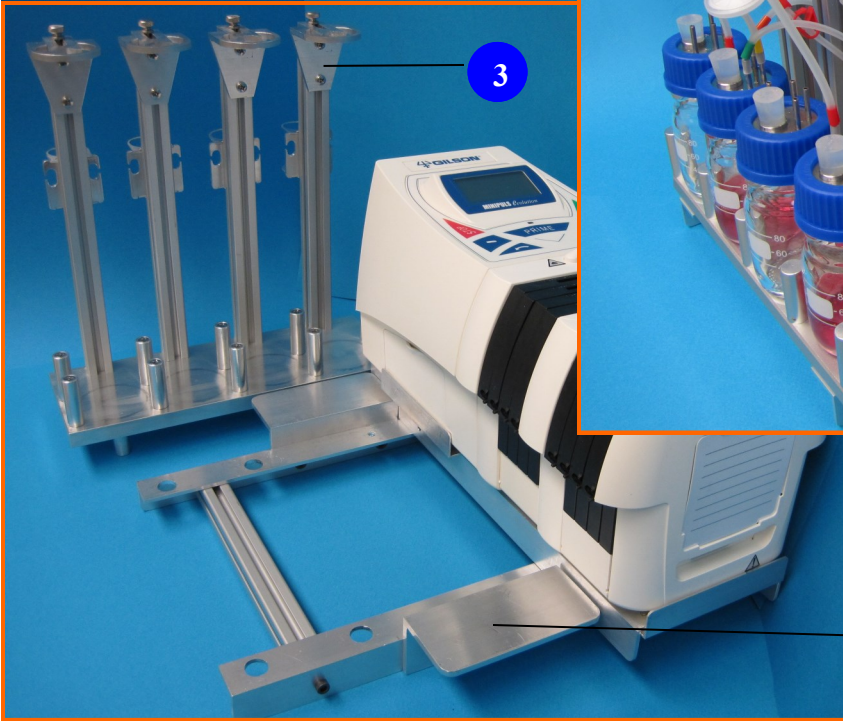
3D Bioreactor – Part List

Item#	Part#	Description
1	3DB-10-01	Peristaltic Pump with 8 channels
2	3DB-10-02	Aluminium Base Frame for holding all the parts of the system
3	3DB-10-03	Aluminium Stand Assembly for holding 4 chambers (item# 4) , 4 glass reservoirs (item# 7) & 4 small glass bottles (item# 10).
4	3DB-10-04	Cell Culture Chambers (4) of sizes for 6-well, 12-well or 24-well scaffolds (Select 1 size only)
5	3DB-10-05	Rubber O-rings (11/chamber) to fit cell culture chambers
6	3DB-10-06	Complete sets of tubings for connection from the pump to the chamber to the reservoir
7	3DB-10-07	Glass reservoir for medium (4)
8	3DB-10-08	Cap with fittings for glass reservoir (4)
9	3DB-10-09	Syringe Filter (12) fitted on the cap (3DB-10-08)
10	3DB-10-10	Glass bottle (4) with water through which CO ₂ is pumped into the medium reservoir (item# 7)
11	3DB-10-11	Cap with fittings (4) for water glass bottle (item# 10)
12	3DB-10-A1	Accessory: Chamber stand (4) for easy handling
13	3DB-10-A2	Accessory: Scaffold/O-ring pusher (1) for easy handling
14	3DB-10-A3	Accessory: Large forcep (1) for handling large scaffolds/O-rings
15	3DB-10-A4	Accessory: Regular forcep (1) for handling small scaffolds/O-rings

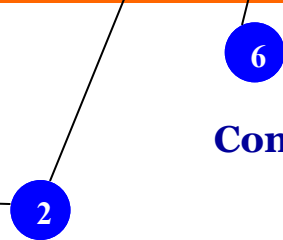
Note: Parts' design may be revised or updated without notice. Please check our website for the latest information.

3D Perfusion Bioreactor System

Frame Structure



Complete System



Chamber/Scaffolds Assembly

